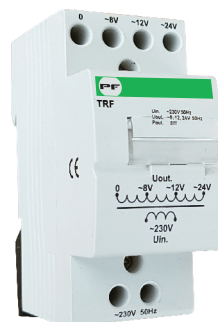


Step-down transformer TRF



Technical specifications



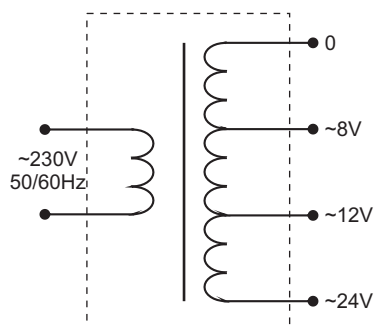
PROMFACTOR

Type	TRF
Standard	IEC 61558-2-6
Rated voltage $\sim U_{e1}$, V (primary winding)	~ 230
Rated voltage $\sim U_{e2}$, V (secondary winding)	8, 12, 24
Rated voltage of the insulation U_i , V	500
Rated pulse current output voltage U_{imp} , V	5000
Rated frequency, Hz	50/60
Power consumption, W	8
Cross-section of connecting conductors, mm ²	up 10
DIN rail mounting	35x7.5
Bolt tensioning torque, Nm	1.5
Protection class	IP20
Comb bus connection	no
Altitude above sea level, m	2000
Operating temperature range, °C	-25...+55
Storage temperature range, °C	-25...+70

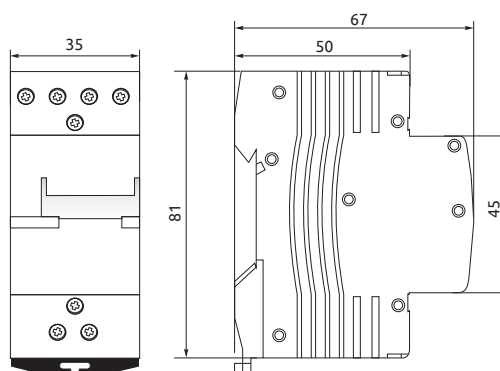
Functions

Пониження напруги у колах змінного струму. ●

Wiring diagram



Overall dimensions



Order code

Name

Packaging, pcs

Gross weight, kg

TRF24

Step-down transformer TRF 230V/24V 8W

1/6/60

0.319/1.99/19.6



Used to power low-power electrical devices.

