

Electric bell FBE



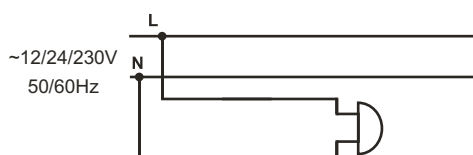
Technical specifications

Type	FBE
Rated voltage Ue, V	~12/24/230
Rated frequency, Hz	50/60
Rated voltage of the insulation Ui, V	500
Rated pulse current output voltage Uimp, V	5000
Power consumption, W	8
Maximum volume, dB	75
Cross-section of connecting conductors, mm ²	up 6
DIN rail mounting	35x7.5
Bolt tensioning torque, Nm	1.3
Protection class	IP20
Comb bus connection	no
Operating position	any
Altitude above sea level, m	2000
Operating temperature range, °C	-25...+55
Storage temperature range, °C	-25...+70

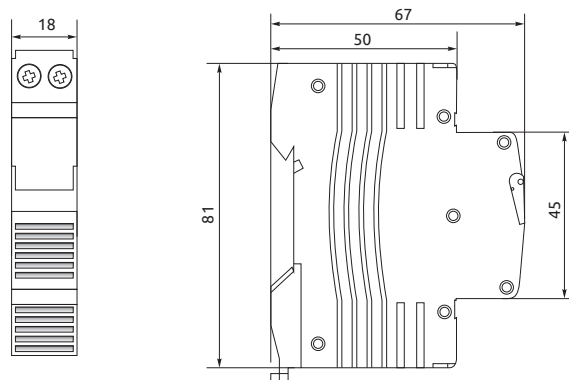
Functions

- It is used in various control and automation schemes as a sound alarm device.
- Used as a household bell.

Wiring diagram



Overall dimensions



Order code	Name	Rated voltage, ~V	Packaging, pcs	Gross weight, kg
FBE012	Дзвінок електричний FBE 12V	12	1/12/120	0.062/0.83/7.90
FBE024	Дзвінок електричний FBE 24V	24	1/12/120	0.064/0.85/8.13
FBE230	Дзвінок електричний FBE 230V	230	1/12/120	0.067/0.89/8.50