

## Control buttons FPS



**PROMFACTOR**

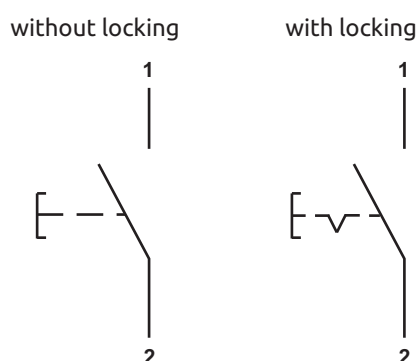
### Technical specifications

Type	FPS	
Standard	IEC 60947-5-1	
Contacts rated operating voltage U <sub>e</sub> , V	~230	
Contacts rated operating current I <sub>e</sub> , A (AC12)	3	
Rated voltage of the insulation U <sub>i</sub> , V	500	
Rated pulse current output voltage U <sub>imp</sub> , V	5000	
Use category	AC12	
Rated frequency, Hz	50/60	
Button type and colour	without locking	green
	with locking	red
Contacts combination	1NO	
Cross-section of connecting conductors, mm <sup>2</sup>	up 25	
DIN rail mounting	35x7.5	
Comb bus connection	yes	
Protection class	IP20	
Bolt tensioning torque, Nm	2.5	
Altitude above sea level, m	2000	
Operating temperature range, °C	-25...+55	
Storage temperature range, °C	-25...+70	

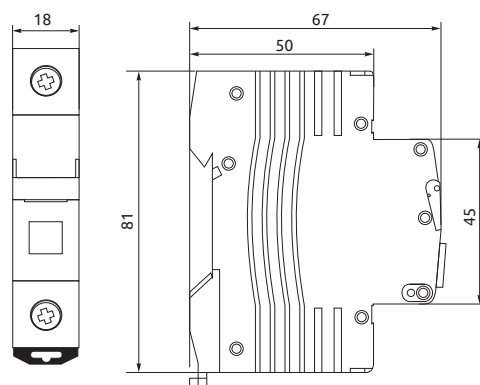
### Functions

Used for switching electrical control circuits of electrical equipment

### Wiring diagrams



### Overall dimensions



Order code	Name	Rated voltage, ~V	Packaging, pcs	Gross weight, kg
FPSR	Control buttons FPS red with locking	230	1/12/120	0.055/0.74/7.05
FPSG	Control buttons FPS green without locking	230	1/12/120	0.054/0.73/6.93