

## Signal lamp FMI



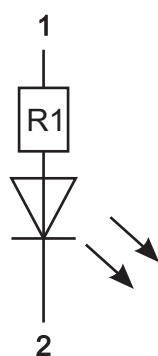
### Technical specifications

Type	FMI
Standard	IEC 60947-5-1
Rated voltage $U_e$ , V	~230
Rated current $I_e$ , mA	$\leq 3$
Rated frequency, Hz	50/60
Rated voltage of the insulation $U_i$ , V	500
Rated pulse current output voltage $U_{imp}$ , V	5000
Перетин провідників, що під`єднуються, $mm^2$	up 25
DIN rail mounting	35x7.5
Bolt tensioning torque, Nm	2.5
Comb bus connection	yes
Protection class	IP20
Operating position	any
Indication color	red, yellow, green
Light emitter type	LED
Altitude above sea level, m	2000
Operating temperature range, °C	-25...+55
Storage temperature range, °C	-25...+70

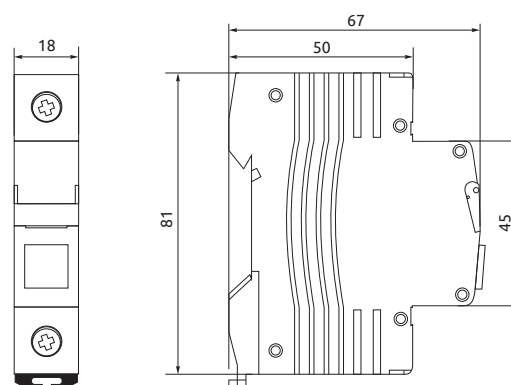
### Application

Signal lamp is used for light indication of voltage in alternating current control circuits

### Wiring diagram



### Overall dimensions



Order code	Name	Rated voltage, ~V	Packaging, pcs	Gross weight, kg
FMIG230	Модульна сигнальна лампа FMI зелена	230	1/12/120	0.056/0.75/7.17
FMIR230	Модульна сигнальна лампа FMI червона	230	1/12/120	0.056/0.75/7.17
FMIY230	Модульна сигнальна лампа FMI жовта	230	1/12/120	0.056/0.75/7.17